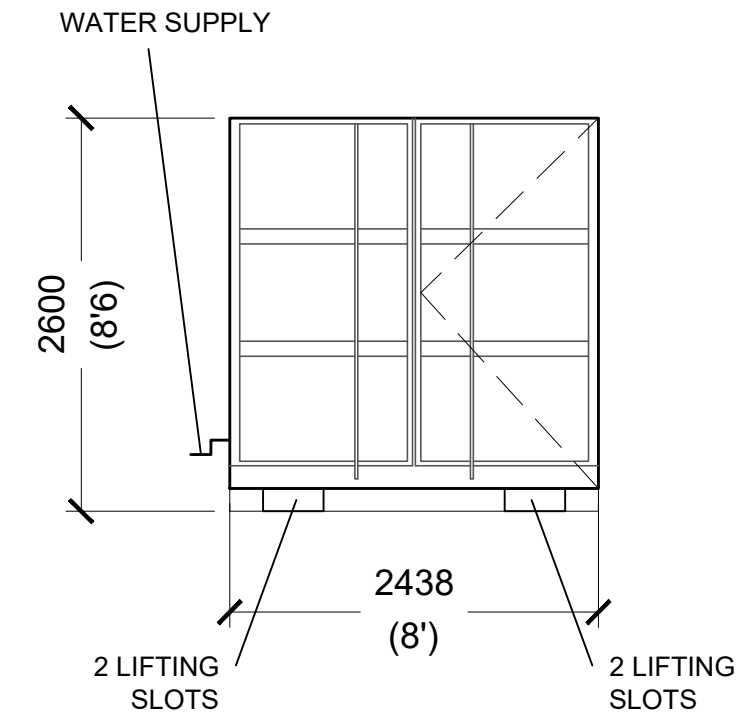
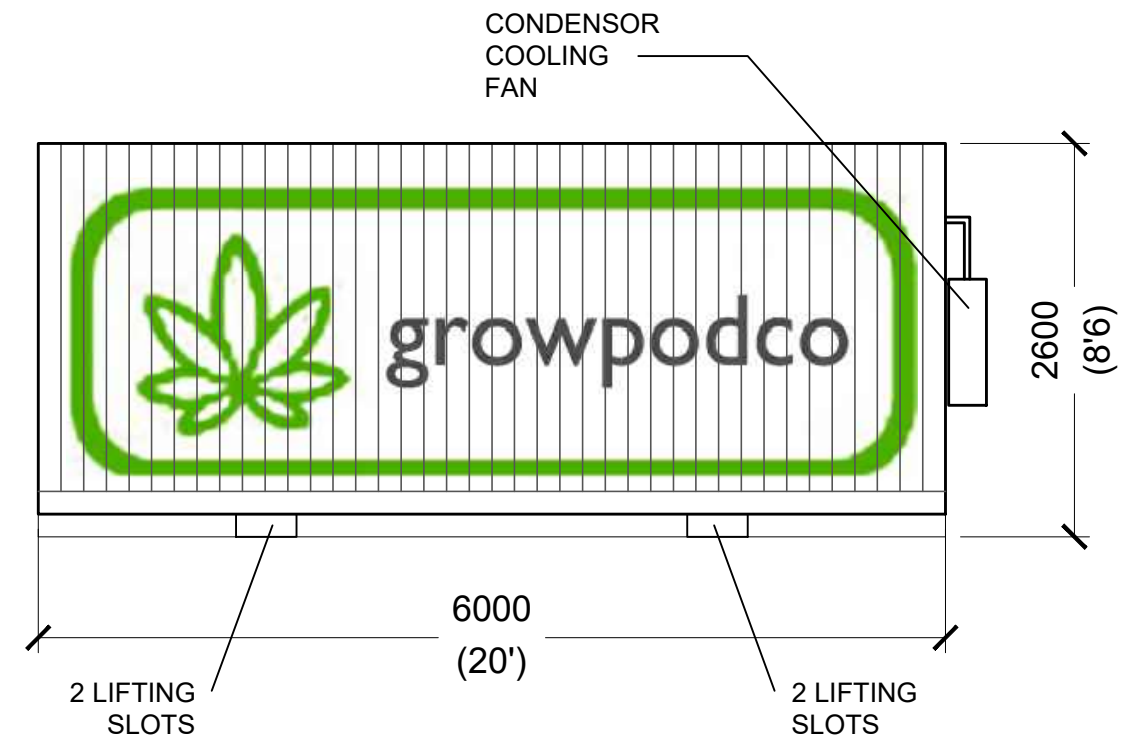


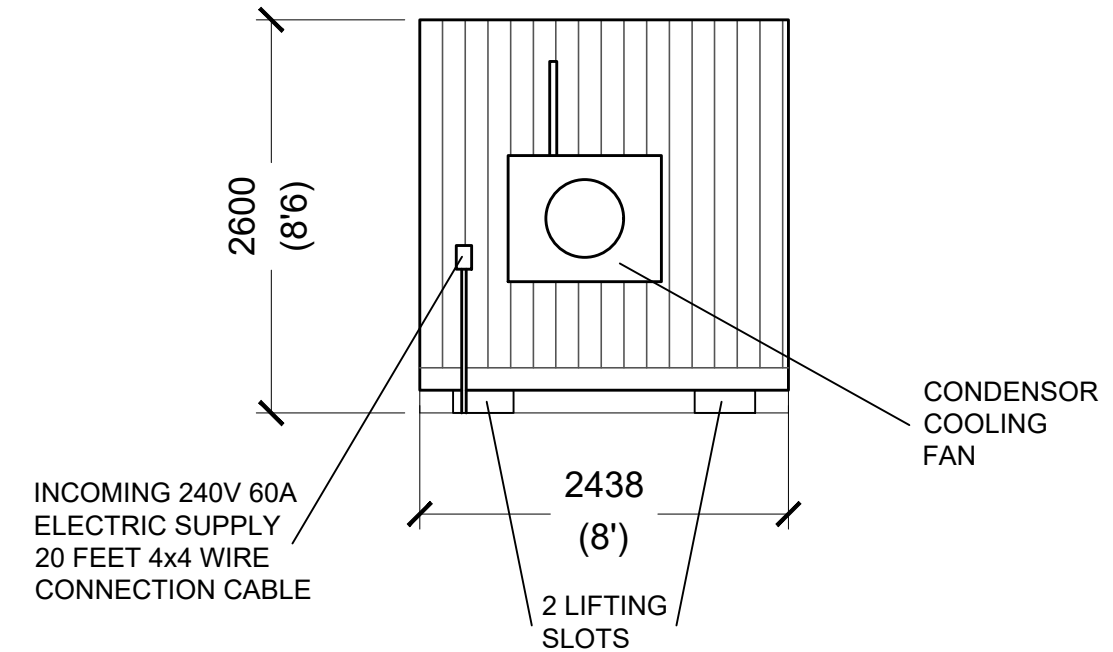
LEFT ELEVATION



FRONT ELEVATION



RIGHT ELEVATION



REAR ELEVATION



Contact Information
 Email: info@growpodco.com
 Hours: Mon-Fri: 9:00AM-5:00PM
 Sat & Sun: Closed
 Address: 42 Garden Lane
 Pine Island, NY 10969

20 foot Standard Container - Specifications

